



Toll Free: 87 PERMATEX
(877-376-2839)

10 Columbus Blvd., Hartford,
Connecticut 06106

6875 Parkland Boulevard, Solon
Ohio 44139

Technical Data Sheet

Permatex® Muffler & Tailpipe Sealer

AAM Revised 12/14

PRODUCT DESCRIPTION

Permatex® Muffler & Tailpipe Sealer is a specially formulated, thick, non-slumping paste type repair material.

PRODUCT BENEFITS

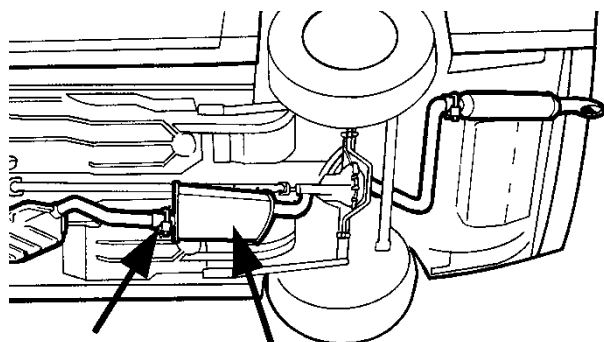
- Waterproof
- Non-shrinking
- Spreads easily
- Resists temperatures to 2000°F

TYPICAL APPLICATIONS

- Mufflers
- Tailpipes
- Catalytic converters

DIRECTIONS FOR USE

1. Surfaces to be repaired should be free of dirt, grease, oil and rust.
2. Wet the surface to be repaired with water.
3. Apply the sealer directly over the hole.
4. Allow to dry for 30 minutes, then start engine and allow to run for 10 more minutes.
5. For new installations, apply sealer ¼ inch thick around inside of larger pipe. Complete and seal the connection.



For Cleanup

1. Clean up with water prior to the material drying.
2. Clean hands with a Permatex® Fast Orange® hand cleaner or soap and water.

PROPERTIES OF UNCURED MATERIAL

Chemical Type	Typical Value
Appearance	Sodium silicate
Odor	Grey paste
Specific Gravity	No odor
Viscosity	1.6
Flash Point	Medium heavy paste
	None

TYPICAL CURING PERFORMANCE

Permatex® Muffler & Tailpipe Sealer cures by the evaporation of water and further cures with heat. Full cure will be affected after 24 hours of drying and driving at the maximum operating temperature.

TYPICAL ENVIRONMENTAL RESISTANCE

Temperature Resistance	Typical Values
Continuous, °C (°F)	1093 (2000)

Chemical / Solvent Resistance

The fully cured product retains effective properties when in contact with water.

GENERAL INFORMATION

This product is not recommended for use in pure oxygen and/or oxygen rich systems and should not be selected for use with chlorine or other strong oxidizing materials.

For safe handling information on this product, consult the Material Safety Data Sheet, (MSDS).

ORDERING INFORMATION

Part Number	Container Size
80335 (MTK-1)	3 oz. tube, carded

STORAGE

Products shall be ideally stored in a cool, dry location in unopened containers at a temperature between 8° to 28°C (46° to 82°F) unless otherwise labeled. Optimal storage is at the lower half of this temperature range. To prevent contamination of unused product, do not return any material to its original container.

NOTE

The data contained herein are furnished for information only and are believed to be reliable. We cannot assume responsibility for the results obtained by others over whose methods we have no control. **Permatex, Inc. specifically disclaims all warranties expressed or implied, including warranties of merchantability or fitness for a particular purpose, arising from sale or use of Permatex, Inc. products and disclaims any liability for consequential or incidental damages of any kind, including lost profits.** This product may be covered by one or more United States or foreign patents or patent applications.

NOT FOR PRODUCT SPECIFICATIONS.
THE TECHNICAL DATA CONTAINED HEREIN ARE INTENDED AS REFERENCE ONLY.
PLEASE CONTACT PERMATEX, INC., TECHNICAL SERVICE DEPARTMENT FOR ASSISTANCE AND RECOMMENDATIONS FOR YOUR SPECIFIC APPLICATION.
PERMATEX, INC., HARTFORD SQUARE NORTH, 10 COLUMBUS BOULEVARD, HARTFORD, CT 06106 PHONE - (1-87PERMATEX)