

MSD[®] IGNITION INSTALLATION INSTRUCTIONS

PRO-BILLET LATE MODEL GM DISTRIBUTOR, V8-PN 8366*, V6-PN 8367

* The PN 8366, V8 Distributor is U.L. approved for marine applications.

Parts Included:

- 1 - Distributor
- 1 - Gear Lubricant
- 1 - Gasket

Replacement Parts:

- V8 Cap - PN 8564
- V8 Rotor - PN 8427
- Gear - PN 8531

WARNING: During installation disconnect the battery cables. When disconnecting the battery, always remove the negative cable first and install it last.

These Pro-Billet Distributors are designed as direct replacements for most GM V8 and 4.3L V6 engines with factory fuel injection systems and a remote, dual connector coil.

REMOVAL

1. Remove the existing distributor cap without disconnecting any spark plug wires.
2. With the cap off, turn the engine over until the rotor is aimed at a fixed point on the engine or firewall. Note this position by making a mark (Figure 1).
3. Place the distributor cap back on and note which plug wire the rotor is pointing at. Mark the spark plug wires and remove the cap.
4. Disconnect the two connectors from the distributor's ignition module.
5. Loosen the distributor hold-down clamp and slide it out of the way.
6. Lift the distributor out of the engine. Note that the rotor rotates as you lift it out. This is due to the helical cut gear and should be taken into consideration when installing the new distributor.

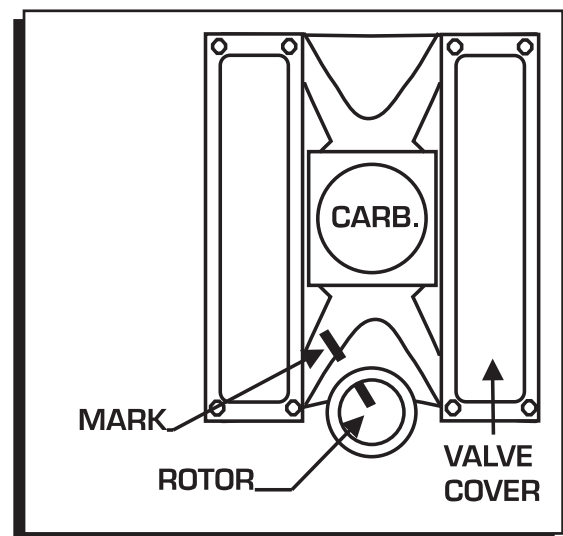


Figure 1 Marking the Distributor Location.

INSTALLATION

Note: There are two O-Ring grooves on the housing. The supplied O-rings can **only** be used if the block has been modified as shown in Figure 2.

1. Remove the cap from the MSD distributor. Install the new gasket on the housing.
2. Apply a liberal amount of the supplied break-in lubricant to the distributor gear.
3. Install the distributor making sure that the rotor comes to rest at the fixed mark. If the distributor will not fully seat you may need to rotate the oil pump shaft.
4. With the rotor in the correct position and the distributor fully seated, install the distributor clamp and tighten it.

5. Connect the two wiring harnesses.
6. Install the distributor cap and install the spark plug wires one at a time to ensure correct location. Chevrolet V8 firing order is: 1-8-4-3-6-5-7-2. The V6 firing order is 1-6-5-4-3-2.
7. You will need to check the ignition timing to get it to exact specifications. To check the timing you need to disconnect the single wire "EST" connector. Follow the recommended procedure which should be outlined on the Emission Specification Decal in the engine compartment.

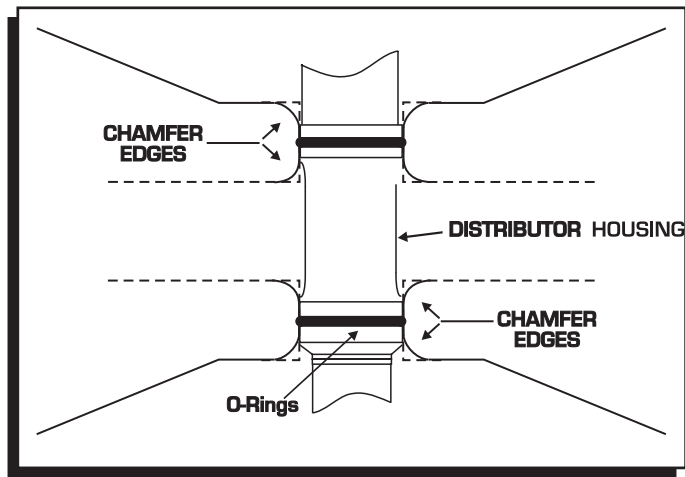


Figure 2 Modified Block for use with O-Rings.

Note: When you disconnect the EST, the Check Engine Light will illuminate and a code will set. When the vehicle is shut off and the connector is plugged back in, the Check Engine Light will turn off, however the code will be in the memory. The code will disappear after several start sequences. To clear the code immediately, disconnect the negative battery cable for five minutes.

Service

In case of malfunction, this MSD component will be repaired free of charge according to the terms of the warranty. When returning MSD components for service, Proof of Purchase must be supplied for warranty verification. After the warranty period has expired, repair service is charged based on a minimum and maximum charge.

Send the unit prepaid with proof of purchase to the attention of: **Customer Service Department, Autotronic Controls Corporation, 12120 Esther Lama, Suite 114, El Paso, Texas 79936.**

When returning the unit for repair, leave all wires at the length in which you have them installed. Be sure to include a detailed account of any problems experienced, and what components and accessories are installed on the vehicle.

The repaired unit will be returned as soon as possible after receipt, COD for any charges. (Ground Shipping is covered by warranty). All units are returned regular UPS unless otherwise noted. For more information, call the MSD Customer Service Line (915) 855-7123. MSD technicians are available from 8:00 a.m. to 5:00 p.m. Monday - Friday (mountain time).

Limited Warranty

Autotronic Controls Corporation warrants MSD Ignition products to be free from defects in material and workmanship under normal use and if properly installed for a period of one year from date of purchase. If found to be defective as mentioned above, it will be replaced or repaired if returned prepaid along with proof of date of purchase. This shall constitute the sole remedy of the purchaser and the sole liability of Autotronic Controls Corporation. To the extent permitted by law, the foregoing is exclusive and in lieu of all other warranties or representations whether expressed or implied, including any implied warranty of merchantability or fitness. In no event shall Autotronic Controls Corporation be liable for special or consequential damages.