

## Installation Guide for Jeep Gladiator PNs 140808/CB, 140809/CB, 140810/CB, 140811/CB, 1400812/CB, 140813/ CB,60700, 60701/CB



**\*\*\*\*\* Please compare the parts in the box with the bill of materials provided \*\*\*\*\*  
to ensure that you have all the parts necessary for this installation.**

These instructions have been written to help you with the installation of your Borla Performance exhaust system. Please read this document completely before beginning the installation of your system.

To ensure this part number fits your specific model year, please visit our website for the latest model year listings at [www.BORLA.com](http://www.BORLA.com)

Thank you for purchasing a Borla Performance Cat-Back™ exhaust system.

These Borla Performance Cat-Back™ exhaust systems (PNs 140808/CB, 140809/CB, 140810/CB, 140811/CB 140812/CB, 140813/CB, 60700, 60701/CB) are designed for the Jeep Gladiator, equipped with a 3.6L V6 engine and 4X4 automatic or manual transmission.

Please note that Borla Performance PN 60700 and 60701/CB are designed to only work with Borla Performance PN 140808/CB, 140809/CB, 140810/CB, 140811/CB 140812/CB, 140813/CB. They will not work on a stock Gladiator exhaust system.

Borla Performance Industries recommends that an exhaust shop or professional after market parts installer, who has all the necessary equipment, tools and experienced personnel needed for proper installation, should perform the installation of this system. However, if you decide to perform the installation, we recommend someone should help you. Ensure the installer uses all under car safety precautions including eye protection.

*Please take time to read and understand the following...*

By installing your Borla Performance exhaust system, you indicate that you have read this document and you agree with the terms stated below.

It is the responsibility of the purchaser to follow all installation instruction guidelines and safety procedures supplied with your Borla Performance exhaust system.

Borla Performance Industries assumes no responsibility for damages occurring from misuse, abuse, improper installation, improper operation, lack of responsible care, or all previously stated reasons resulting from incompatibility with other manufacturer's products and/or systems.

Included with your Borla Performance exhaust system is a warranty card. Please read it carefully before you begin any work on your vehicle. If you should have any questions regarding our warranty policy, installation, or any other matter pertaining to your new Borla Performance exhaust system, please give us a call at the number provided on the warranty card.

**Minimum Required Tool List:**

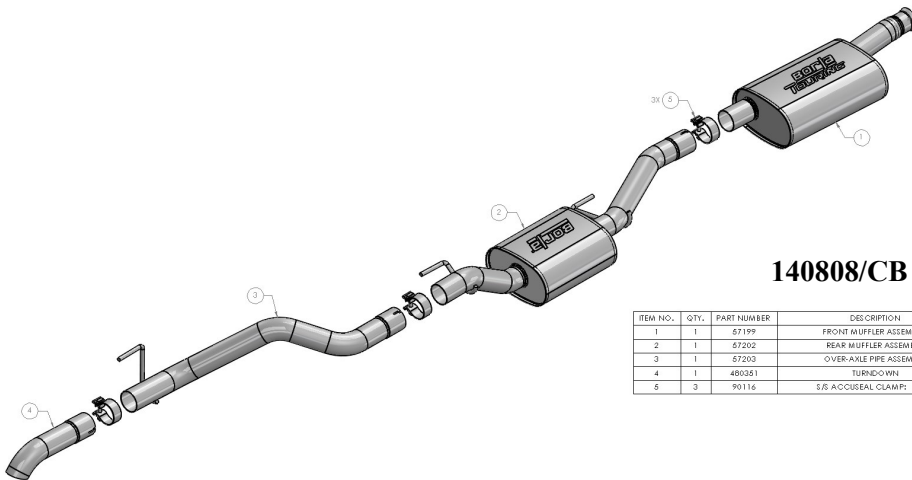
**TOOLS:**

1. 3/8" drive ratchet
2. 3/8" drive extension 6"
3. 3/8" drive extension 3"
4. 17mm socket
5. 15mm socket
6. 13mm socket
7. 7/8" wrench

**SHOP SUPPLIES:**

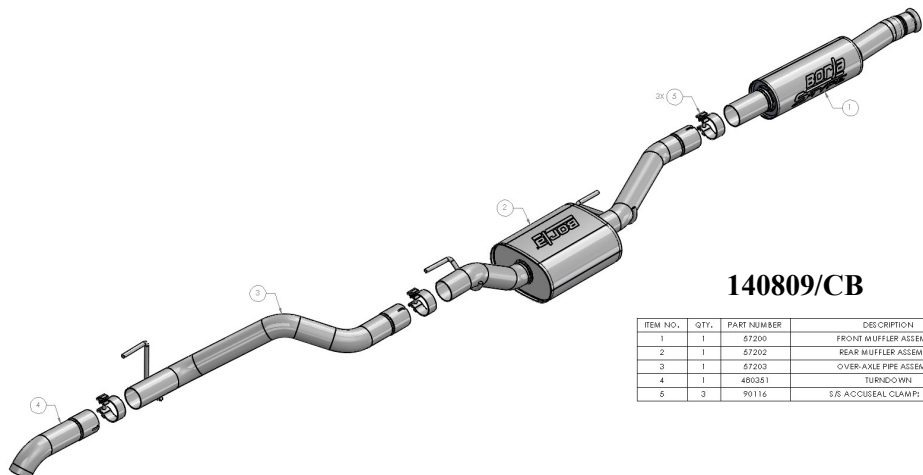
1. Spray lubricant

**Borla Performance - Bill of Materials**



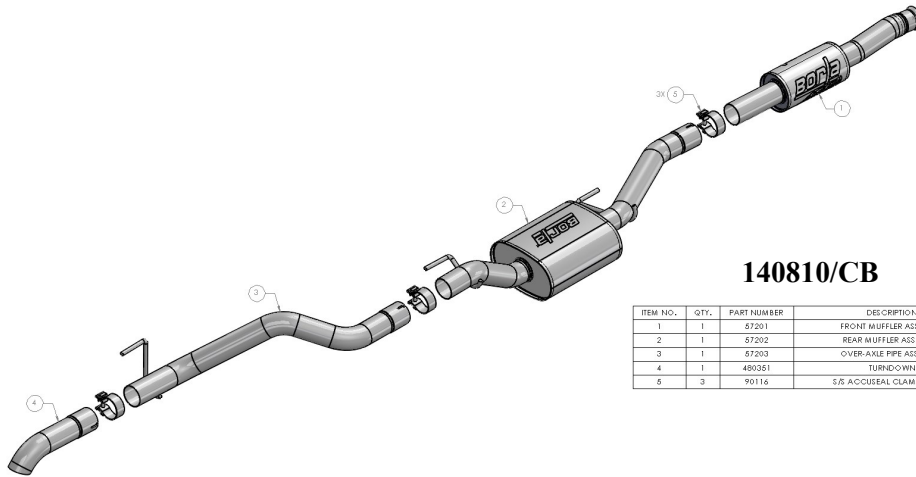
**140808/CB**

ITEM NO.	QTY.	PART NUMBER	DESCRIPTION
1	1	57199	FRONT MUFFLER ASSEMBLY
2	1	57202	REAR MUFFLER ASSEMBLY
3	1	57203	OVER-AXLE PIPE ASSEMBLY
4	1	480351	TURNDOWN
5	3	90116	5/8" ACCUSAL CLAMP: Ø2.75



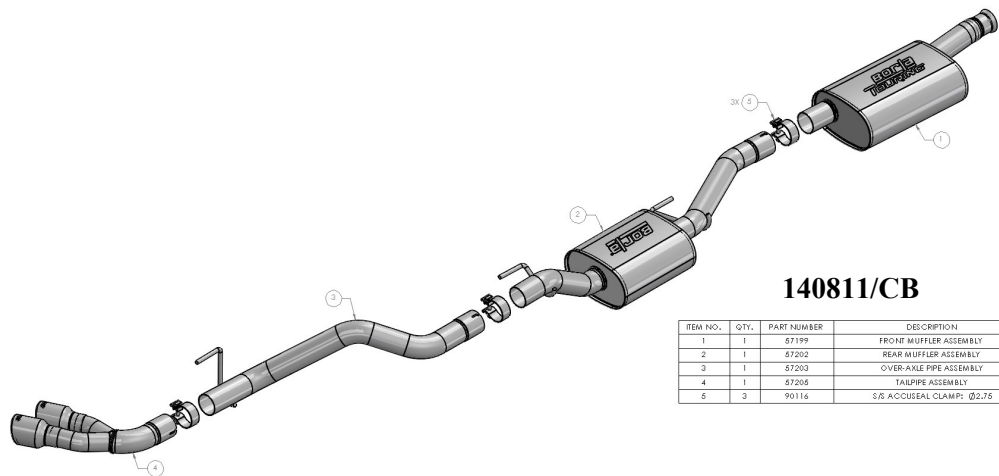
**140809/CB**

ITEM NO.	QTY.	PART NUMBER	DESCRIPTION
1	1	57200	FRONT MUFFLER ASSEMBLY
2	1	57202	REAR MUFFLER ASSEMBLY
3	1	57203	OVER-AXLE PIPE ASSEMBLY
4	1	480351	TURNDOWN
5	3	90116	5/8" ACCUSAL CLAMP: Ø2.75



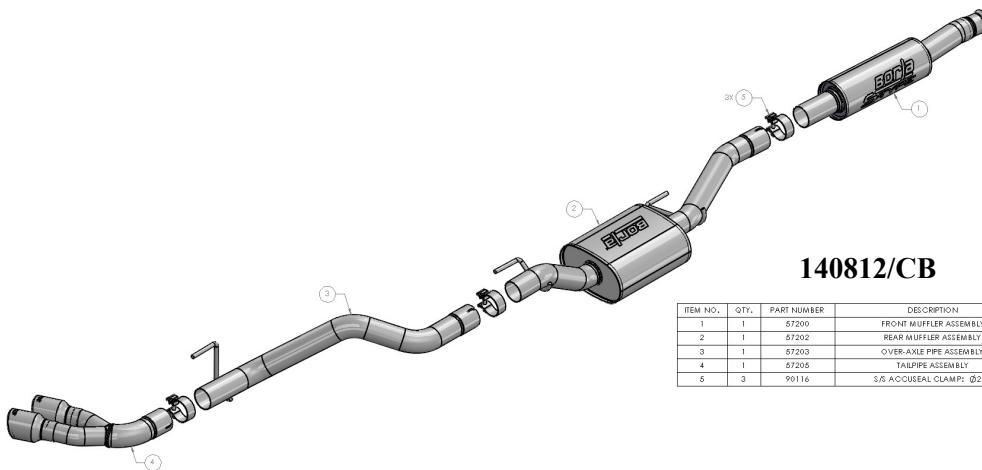
**140810/CB**

ITEM NO.	QTY.	PART NUMBER	DESCRIPTION
1	1	57201	FRONT MUFFLER ASSEMBLY
2	1	57202	REAR MUFFLER ASSEMBLY
3	1	57203	OVER-AXLE PIPE ASSEMBLY
4	1	480351	TURNDOWN
5	3	90116	S/S ACCUSEAL CLAMP: Ø2.75



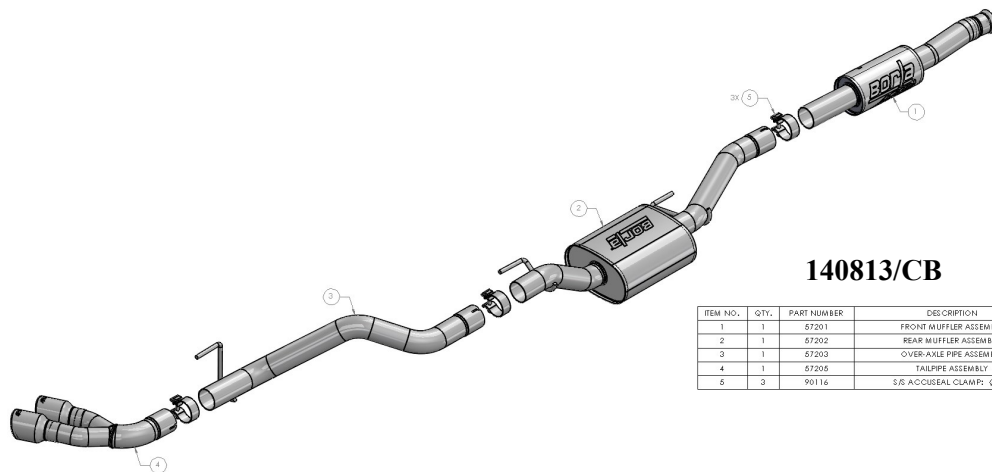
**140811/CB**

ITEM NO.	QTY.	PART NUMBER	DESCRIPTION
1	1	57199	FRONT MUFFLER ASSEMBLY
2	1	57202	REAR MUFFLER ASSEMBLY
3	1	57203	OVER-AXLE PIPE ASSEMBLY
4	1	57205	TAILPIPE ASSEMBLY
5	3	90116	S/S ACCUSEAL CLAMP: Ø2.75



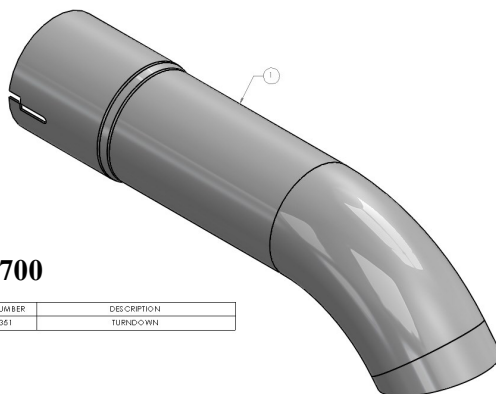
**140812/CB**

ITEM NO.	QTY.	PART NUMBER	DESCRIPTION
1	1	57200	FRONT MUFFLER ASSEMBLY
2	1	57202	REAR MUFFLER ASSEMBLY
3	1	57203	OVER-AXLE PIPE ASSEMBLY
4	1	57205	TAILPIPE ASSEMBLY
5	3	90116	S/S ACCUSEAL CLAMP: Ø2.75



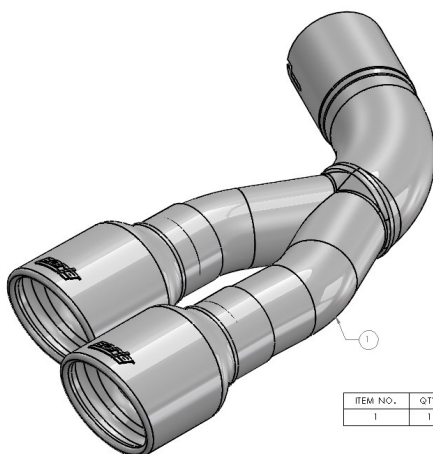
**140813/CB**

ITEM NO.	QTY.	PART NUMBER	DESCRIPTION
1	1	57201	FRONT MUFFLER ASSEMBLY
2	1	57202	REAR MUFFLER ASSEMBLY
3	1	57203	OVER-AXLE PIPE ASSEMBLY
4	1	57205	TAILPIPE ASSEMBLY
5	3	90116	3/8\"/>



**60700**

ITEM NO.	QTY.	PART NUMBER	DESCRIPTION
1	1	480351	TURNDOWN



**60701/CB**

ITEM NO.	QTY.	PART NUMBER	DESCRIPTION
1	1	57205	TAILPIPE ASSEMBLY

**Caution!!!** *Never work on a hot exhaust system. Serious injury in the form of burns can result if the vehicle has been in use and the exhaust system is hot, allow vehicle to cool for at least 1 hour. Always wear eye protection when working under any vehicle.*

**Note:** *It is our recommendation that you use a hoist or hydraulic lift to facilitate the installation of your new Borla Performance Exhaust System.*

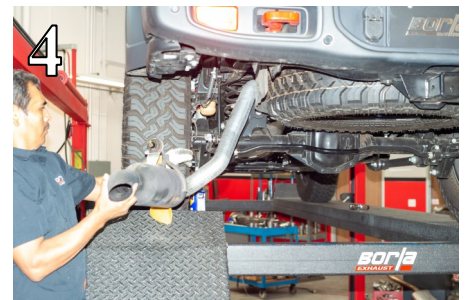
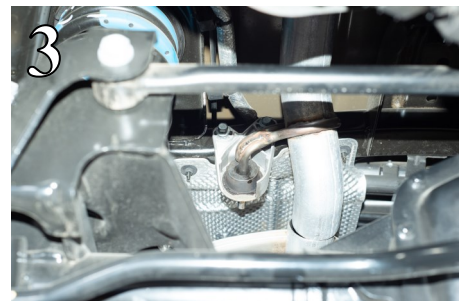
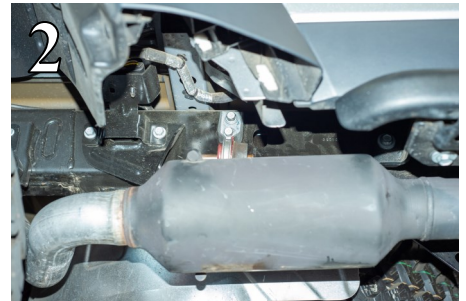
**Taking all under car safety precautions, lift the vehicle using a hoist or hydraulic lift. Once this has been done, you may begin the removal of your old exhaust system from your vehicle.**

**Note:** *Before removing the original exhaust system from your vehicle, please compare the parts you have received with the bill of materials provided on the previous page to assure that you have all the parts necessary for the installation of your new Borla Performance Exhaust System.*

**Note:** *With a used vehicle, we suggest a penetrating spray lubricant to be applied liberally to all exhaust fasteners and allowing a significant period of time for the chemical to lubricate the threads before attempting to disassemble.*

## Original Exhaust System Removal

1. Lubricate all hangers, rubber isolators, bolts and nuts.
2. Make a cut directly behind the front muffler assembly so that the original exhaust system can be removed in two pieces (fig. 1).
3. Remove the bolts holding the rear muffler assembly hanger bracket (fig. 2). Keep the hardware for later reinstallation.
4. Remove the bolts holding the front of the rear muffler assembly hanger (fig. 3). Keep the hardware for later reinstallation.
5. Carefully remove the rear muffler assembly from the vehicle (fig. 4).
6. Rear muffler assembly and hanger brackets removed (fig. 5).



**Caution!!!** *Never work on a hot exhaust system. Serious injury in the form of burns can result if the vehicle has been in use and the exhaust system is hot, allow vehicle to cool for at least 1 hour. Always wear eye protection when working under any vehicle.*

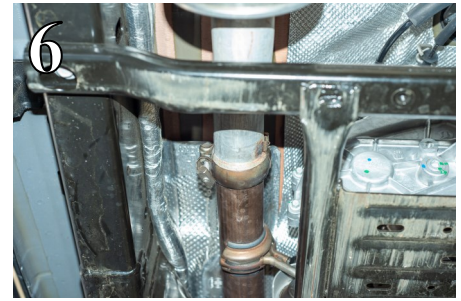
**Note:** *It is our recommendation that you use a hoist or hydraulic lift to facilitate the installation of your new Borla Performance Exhaust System.*

**Taking all under car safety precautions, lift the vehicle using a hoist or hydraulic lift. Once this has been done, you may begin the removal of your old exhaust system from your vehicle.**

**Note:** *Before removing the original exhaust system from your vehicle, please compare the parts you have received with the bill of materials provided on the previous page to assure that you have all the parts necessary for the installation of your new Borla Performance Exhaust System.*

**Note:** *With a used vehicle, we suggest a penetrating spray lubricant to be applied liberally to all exhaust fasteners and allowing a significant period of time for the chemical to lubricate the threads before attempting to disassemble.*

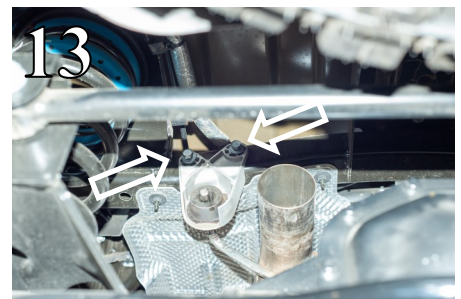
## Original Exhaust System Removal



7. Loosen the nut securing the front muffler assembly clamp to the vehicle (fig. 6). Keep the hardware and clamp for later reinstallation.
8. Using a muffer stand or an additional person, carefully remove the front muffler assembly from the vehicle (fig. 7).
9. Stock exhaust system removed (fig. 8).

## Borla Performance Cat-Back™ Exhaust System Installation

1. Orient the components on shop floor according to the bill of materials drawing provided on page 2, 3, or 4.
2. Remove the clamp from the front of the stock exhaust system and transfer it to the front of the front muffler assembly (fig. 9). Please be aware that the front muffler assembly you received may differ in appearance depending on the part number you have.
3. Attach the front muffler assembly to the rear muffler assembly, ensuring that there is a clamp over the connecting point (fig. 10). Do not tighten the clamp yet.
4. Install the front and rear muffler assemblies together onto the vehicle (fig. 11).
5. Place the hanger from the previous step into its rubber isolator (fig. 12).
6. Reinstall the rubber isolator that came off with the stock exhaust system to secure the rear hanger of the Borla rear muffler assembly to the vehicle (fig. 13).

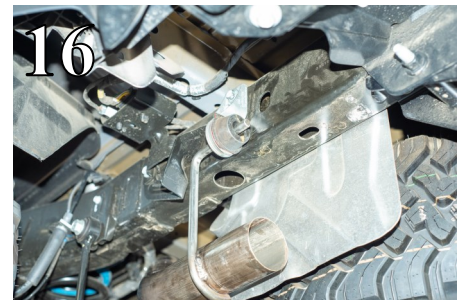


**WARNING:** Use extreme caution during installation. Torque all fasteners according to manufacturer's torque values and tightening sequence. **DO NOT** use air impact tools to tighten fasteners on Borla Performance Exhaust Systems. Use of such tools may result in bent flanges or gasket contact areas leading to exhaust leaks.

**NOTE:** When you first start your vehicle after the installation of your new Borla Performance Exhaust System, there may be some smoke and fumes coming from the system. This is a protective oil based coating used in the manufacturing of mandrel bent performance exhaust tubing. This is not a problem and will disappear within a very short period of time after the exhaust has reached normal operating temperatures.

## Borla Performance Cat-Back™ Exhaust System Installation Cont'd

1. Slide a clamp over the inlet of the over-axle pipe assembly and connect it to the outlet of the rear muffler assembly (fig. 14).
2. Reinstall the rubber isolator bracket onto the vehicle, securing the over-axle pipe assembly hanger with it (figs. 15, 16).
3. For Climber Cat-Backs, slide a clamp over the inlet of the turndown (fig. 7) and connect it to the outlet of the over-axle pipe assembly (fig. 18).



**WARNING:** Use extreme caution during installation. Torque all fasteners according to manufacturer's torque values and tightening sequence. **DO NOT** use air impact tools to tighten fasteners on Borla Performance Exhaust Systems. Use of such tools may result in bent flanges or gasket contact areas leading to exhaust leaks.

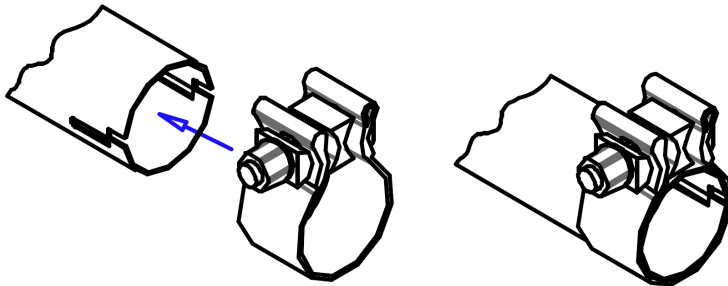
**NOTE:** When you first start your vehicle after the installation of your new Borla Performance Exhaust System, there may be some smoke and fumes coming from the system. This is a protective oil based coating used in the manufacturing of mandrel bent performance exhaust tubing. This is not a problem and will disappear within a very short period of time after the exhaust has reached normal operating temperatures.



## Borla Performance Cat-Back™ Exhaust System Installation Cont'd



18. For Dual Side Cat-Backs, slide a clamp over the inlet of the tailpipe assembly (fig. 19) and connect it to the outlet of the over-axle pipe assembly (fig. 20).
19. Check your exhaust system for proper clearance under the vehicle and also for tip alignment. Starting at the front flanges and moving to the rear of vehicle, tighten the flange hardware/bolts. Orient the position of bolt (on supplied clamps) between (not over) pipe notches and tighten to 35 ft. lbs. torque.
20. Align tips and tighten hardware. Loosen clamps to rotate or slide pipe for better alignment.
21. Before starting your vehicle, make sure to check all wires, hoses, brake lines, body parts and tires for safe clearance from the exhaust system.
22. Start the vehicle and check for any leaks. If any leaks are found, determine cause (such as loose or incorrectly positioned clamp) and repair as necessary.



**WARNING:** Use extreme caution during installation. Torque all fasteners according to manufacturer's torque values and tightening sequence. **DO NOT** use air impact tools to tighten fasteners on Borla Performance Exhaust Systems. Use of such tools may result in bent flanges or gasket contact areas leading to exhaust leaks.

**NOTE:** When you first start your vehicle after the installation of your new Borla Performance Exhaust System, there may be some smoke and fumes coming from the system. This is a protective oil based coating used in the manufacturing of mandrel bent performance exhaust tubing. This is not a problem and will disappear within a very short period of time after the exhaust has reached normal operating temperatures.