



Thank you for purchasing a Borla Performance Stainless Steel Header.

Precision manufactured using aircraft quality T-304 stainless steel; this header is designed to endure years of heavy use. Installing the Borla Performance Stainless Steel Header on your vehicle will eliminate the restrictive design of the stock exhaust manifolds, allowing your engine to discharge exhaust gas easier. The result is more horsepower and torque and longer engine life, with easy bolt-on installation. These installation instructions have been written to help you in the installation of your Borla Performance Stainless Steel Header. Please read it completely before attempting installation.

This Borla Performance Stainless Steel Header (Part number 17217) has been designed for the 2002-2005 Subaru WRX (Incl. STI 2.5L) equipped with a 2.0L turbo charged 4-cylinder engine, AWD and manual transmission and for the 2005 Subaru Legacy GT equipped with a 2.5L 4-cylinder engine, AWD and manual transmission.

Borla Performance Industries recommends that an exhaust shop or professional after market parts installer, who has all the necessary equipment, tools and experienced personnel needed for proper installation, should perform the installation of this system. However, if you decide to perform the installation, we recommend someone should help you. Ensure the installer uses all under car safety precautions including eye protection.

Please take time to read and understand the following...

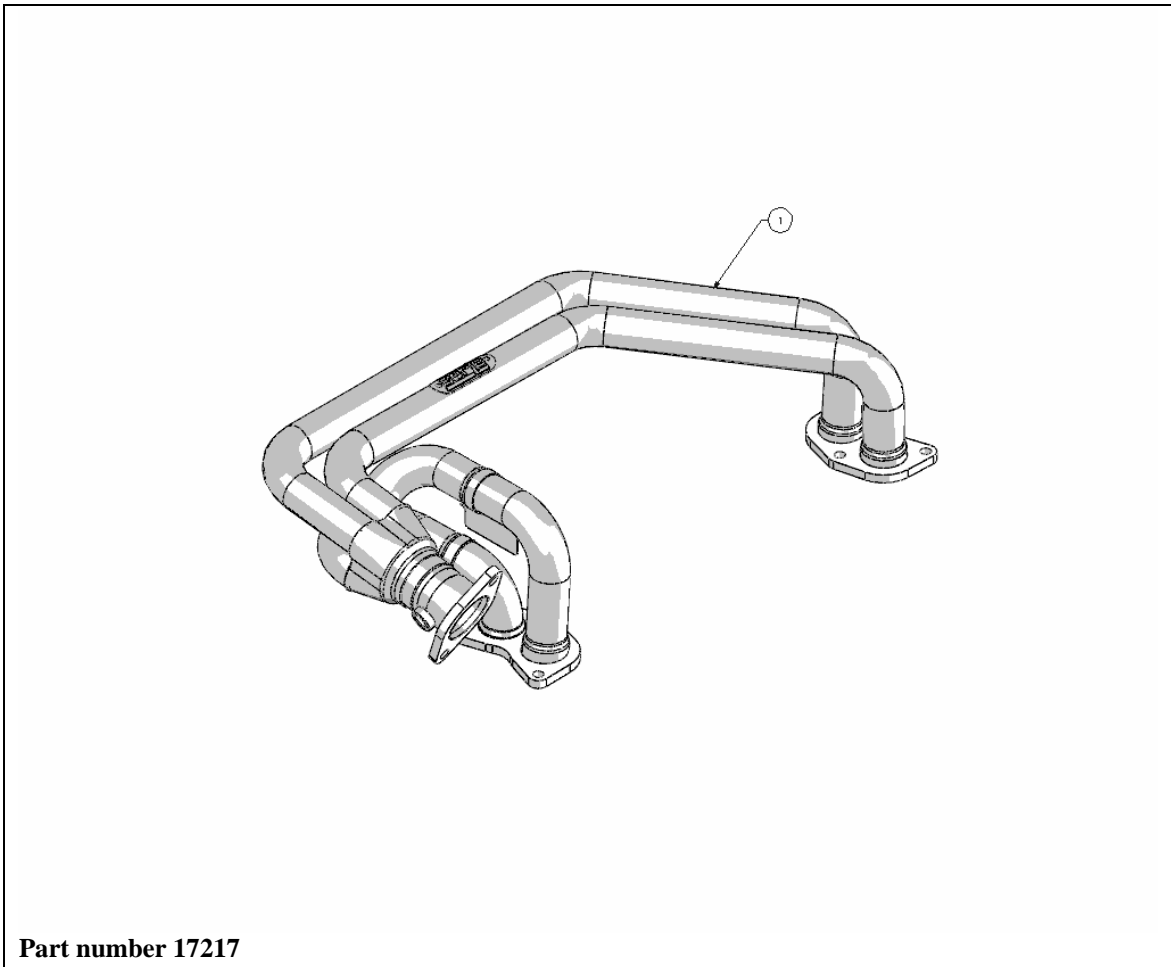
By installing your Borla Performance Stainless Steel Header, you indicate that you have read this document and you agree with the terms stated below.

It is the responsibility of the purchaser to follow all installation instruction guidelines and safety procedures supplied with your Borla Performance Stainless Steel Header.

Borla Performance Industries assumes no responsibility for damages occurring from misuse, abuse, improper installation, improper operation, lack of responsible care, or all previously stated reasons resulting from incompatibility with other manufacturer's products and/or systems.

Included with your Borla Performance Stainless Steel Header is a warranty card. Please read it carefully before you begin any work on your vehicle. If you should have any questions regarding our warranty policy, installation, or any other matter pertaining to your new Borla Performance Stainless Steel Header, please give us a call at the number provided on the warranty card.

Borla Performance Stainless Steel Header Bill of Materials



1. Header assembly

Caution!!! Never work on a hot exhaust system. Serious injury in the form of burns can result If the vehicle has been in use and the exhaust system is hot, allow vehicle to cool for at least 1 hour. Always wear eye protection when working underneath any vehicle.

Note: It is our recommendation that you use a hoist or hydraulic lift to facilitate the installation of your new Borla Performance Stainless Steel Header.

Note: Before removing the original exhaust manifolds from your vehicle, please compare the parts you have received with the bill of materials provided on the previous page to assure that you have all the parts necessary for the installation of your new Borla Performance Stainless Steel Header.

Original Exhaust Manifold Removal

Note: With a used vehicle, we suggest a penetrating spray lubricant to be applied liberally to all exhaust fasteners and allowing a significant period of time for the chemical to lubricate the threads before attempting to disassemble.

1. Disconnect battery by removing negative cable from the battery terminal.
2. On passenger side of vehicle in the wheel well, remove the plastic cover as shown in figure 1 to gain access to the oxygen sensor.
3. Remove oxygen sensor.
4. Remove plastic cover from under the front of the vehicle as shown in figure 2.



Figure 1



Figure 2

5. Remove the heat shield completely from over the driver side flange then remove the lower portion of the heat shield from the passenger side flange as shown in figure 3.



Figure 3

6. Unbolt the three flanges shown in figure 4 securing the header to the rest of the exhaust and remove the header and gaskets from the vehicle as shown in figure 5.

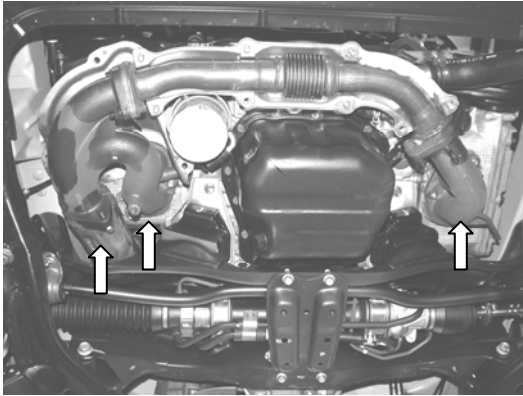


Figure 4



Figure 5

You are now ready for the installation of your new Borla Performance Stainless Steel Header.

Borla Performance Stainless Steel Header Installation

Warning: Use extreme caution during installation. Torque all fasteners according to manufacturer's torque values and tightening sequence. **DO NOT** use air impact tools to tighten fasteners on Borla Performance Stainless Steel Headers. Use of such tools may result in bent flanges or gasket contact areas leading to exhaust leaks.

1. Using the original gaskets and hardware, place the Borla Performance Stainless Steel header in position as shown in figure 6 and hand tighten the hardware.
2. Using the original gasket and hardware, secure the flange connecting the header to the up pipe hand tight. If you are having problems aligning the flange and inserting the bolts, place a screwdriver through the hole as shown in figure 7 to aid you in the alignment of the flange.
3. Torque the flanges at the cylinder to 28-29 ft. lbs. and the flange to the up pipe to 26 ft. lbs.
4. Install oxygen sensor into it's fitting at the collector and reconnect wiring.

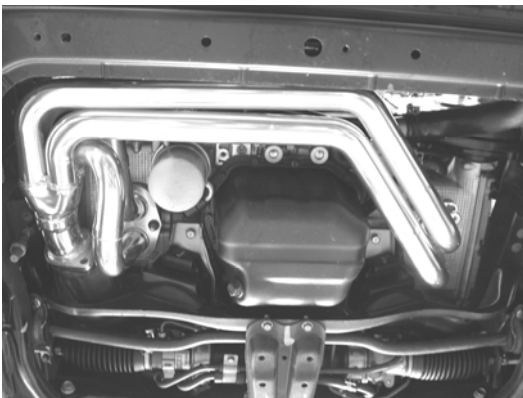


Figure 6

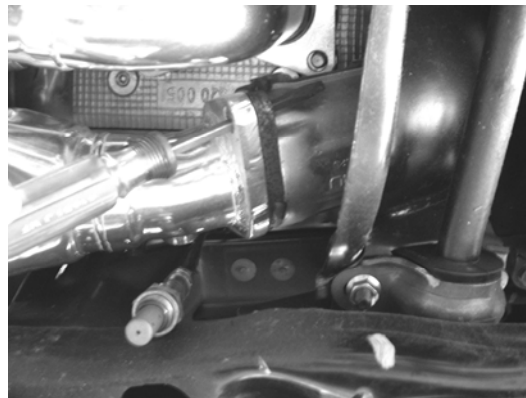


Figure 7

5. Before starting your vehicle, make sure to check all wires and hoses for safe clearance from the Header.
6. Start vehicle and check for any leaks. If any leaks are found, determine cause (such as loose fasteners or incorrectly positioned gasket) and repair as necessary.
7. With vehicle at idle; allow headers to warm up completely. Turn engine off and allow headers to completely cool down.
8. Once headers have completely cooled down re-torque fasteners to the factory specifications.
9. Install plastic cover shown in figure 8 in passenger side wheel well.
10. Install plastic cover shown in figure 9 under front of vehicle.



Figure 8



Figure 9

Note: When you first start your vehicle after the installation of your new Borla Performance Stainless Steel Header, there may be some smoke and fumes coming from the Header. This is a protective oil based coating used in the manufacturing of mandrel bent performance exhaust tubing. This is not a problem and will disappear within a very short period of time after the Header has reached normal operating temperatures.



Congratulations!!! You have completed the installation of the world famous Borla Performance Stainless Steel Header.